



W300-xxM

**CAT6 FTP Network Cable
(Brown Color)**

Product number:6.04

Summary

W300-xxM is a CAT6 FTP network cable developed by Beetek for use in extreme environments. The cable body is made of multiple strands of 8-core 26AWG oxygen-free copper, and has tight inner and outer jackets made of TPU material. The cable maintains its flexibility and durability down to -30°C . The $50\ \mu$ gold-plated contact pins, along with unbreakable retaining latches support repeated plugging and unplugging. The assembled housing and three-piece crystal head allow for quick repair in the field. The W300 series also has excellent shielding against EMI, making it suitable for use with mixing consoles and DMX lighting, and interconnection between LED screens in harsh environments, as well as between LED transmitter and receiver cards. It's available in a variety of lengths from 1 meter to 30 meters.

Product view

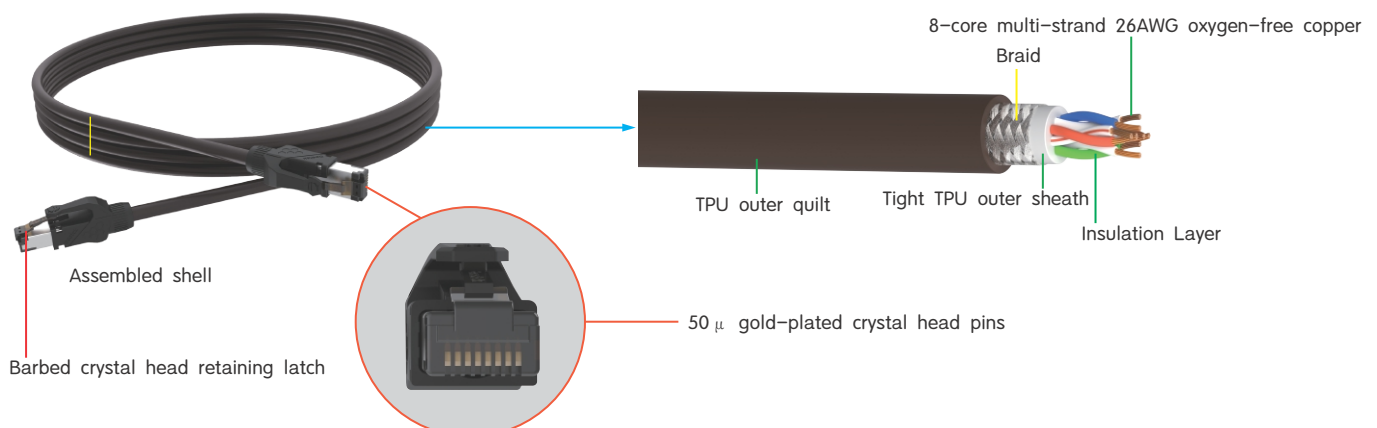


Front of cable connector Cable connector side Back of cable connector

Technical Characteristics

- ♦ CAT6 FTP network cable developed for use in extreme environments.
- ♦ Shielded 8-core CAT6 network cable.
- ♦ The transmission frequency is 250MHz and the transmission rate is 10Gbps.
- ♦ 8-core multi-strand 26AWG oxygen-free copper, and aluminum-magnesium braided shield with 100% shielding ratio.
- ♦ Tight TPU inner and outer jacket design give good flexibility and durability at -30° C.
- ♦ $50\ \mu$ gold-plated crystal head pins and injection-molded shell support more than 1,000 times of repeated plugging and unplugging.
- ♦ Unbreakable retaining latch design for unsurpassed service life.
- ♦ Available in various lengths, and lengths of 10 meters and above equipped with handy Velcro strap for easy management.
- ♦ 1 meter and 1.2 meter lengths are suitable for interconnecting LED panels.
- ♦ Longer lengths are suitable for LED systems, mixing consoles and DMX lighting and other applications.
- ♦ 20 meter lengths and longer can be wound on Beetek' s DF and PCD series cable reels for easy deployment.

Product Details

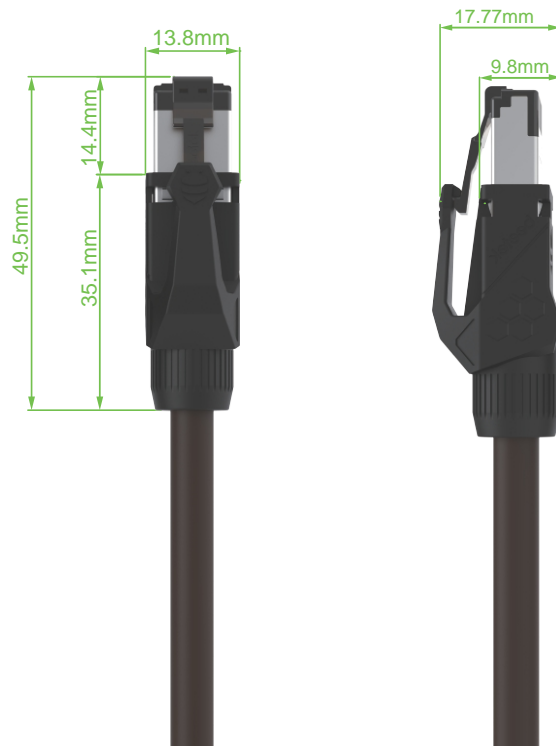


Product parameter

Name	Parameter
Connector Type	RJ45 FTP
Cable Type	CAT6 FTP
Environmental Information	RoHS 2.0 Compliant
Components	Cable + RJ45 Connector + Boot
RJ45 Connector	FTP Three-piece double-row crystal head (PC)
Connector Color	Brown
Connector Material	PC
Gold Plate Thickness	50U
Latch Tab	Barbed break-resistant tab
Boot	ABS Shell Mold
Boot Color	Black
Structure	Conductor + Insulation Layer + TPU middle quilt + Braid + Jacket
Conductor Gauge	26AWG
Conductor Size	7/0.20 ± 0.008mm*8
Conductor Material	Multiple strand oxygen free copper cable
Insulation Material	HDPE
Insulation Outer Diameter	0.85 ± 0.05mm
Insulation Average Thickness	0.17mm
Insulation Minimum Thickness	0.15mm
Insulation Color Code	1P: Blue & White/Blue; 2P: Orange & White/Orange; 3P: Green & White/Green; 4P: Brown & White/Brown
Core Wire Direction	s
Core Wire Lay Length	<30mm
Cable Direction	s
Cable Lay Length	≤120mm
Middle Quilt Material	TPU
Braid Material	128*0.1mm aluminum magnesium wire braided shielding
Shielding Rate	100%
Jacket Material	TPU
Jacket Outer Diameter	6.5mm
Jacket Color	Brown
Cable Meter Mark	Yellow water proof
Storage Velcro	P type storage Velcro: 20*200mm for 10m or longer
Conductor Resistance	≤15.0Ω/100M at 20℃
Insulation Resistance	>5000MΩ at 20℃
Impedance	100Ω ± 15Ω
Withstand Voltage	1000V DC/1min; No Breakdown
Delay Difference	≤45ns/100m (1-125MHz)
Frequency	250Mhz
Testing	PASS FLUKE

Name	Parameter
Insulation Elongation	≥300%
Insulation Tensile	≥16 Mpa
Jacket Elongation	≥100%
Jacket Tensile	≥12.5 Mpa
Maximum Relative Mutual Coupling Capacitance	5.6 nF/100m
Maximum Capacitance Unbalance	330pF/100m
Allowable Bending Radius	15D (*D is cable outer diameter)
Operating Temperature	-30~80 °C
Operating Voltage	30v

Dimensional drawing



- Size 49.5 * 17.8 * 13.8 mm
- Conductor Size 7 / $0.16 \pm 0.008\text{mm}$ *8
- Jacket Outer Diameter 6.5mm
- RJ45 Connector FTP Three-piece double-row crystal head (PC)