

DF100

Ultra-light Stackable Cable Reel

Product number:8.01

Summary

DF100 is a portable hand-operated cable reel made from durable ABS material, which can easily be operated by one person to quickly deploy cable. The fully-enclosed winding reel provides excellent protection from drops and knocks, and can be stacked vertically or horizontally, or hung for easy transportation and storage. The lightweight design is only 1.5kg and can easily store 100 meters of fiber optic cable or 70 meters of CAT cable.

Product view



Front



Side



Back

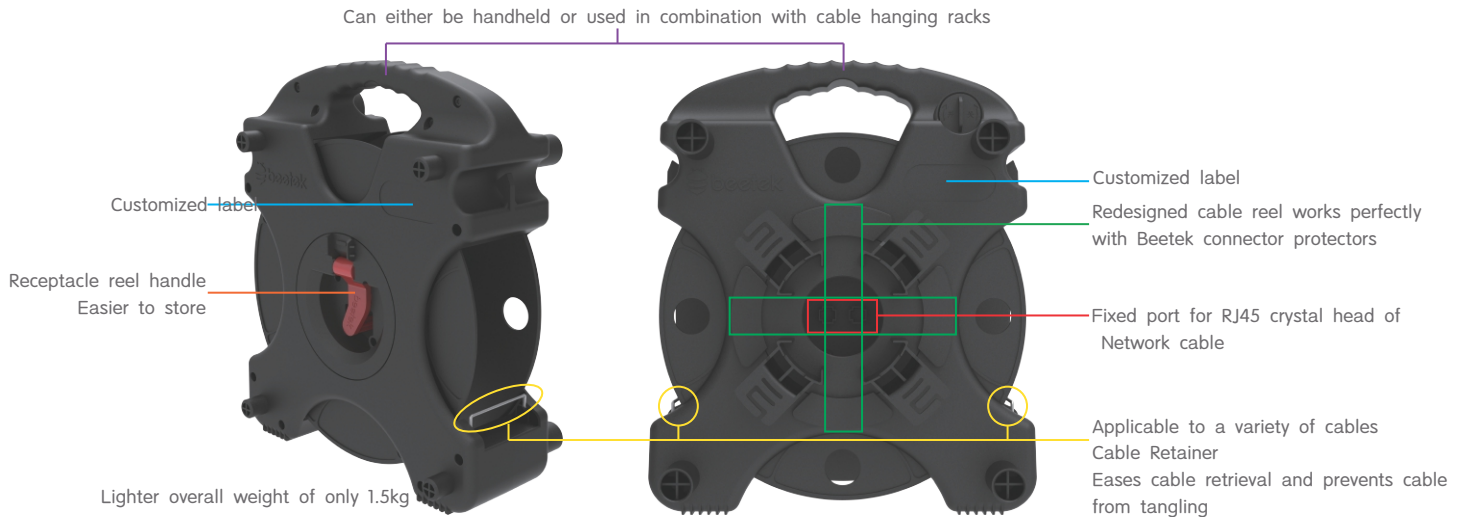


Top surface

Technical Characteristics

- ✦ Designed for repeated cable deployment.
- ✦ Internal bearing structure and retainer can be operated by a single person, saving both time and effort.
- ✦ Unique outer design allows it to be stacked vertically, horizontally or hung on racks, freeing up space and making it easy to store.
- ✦ Fully-enclosed winding reel is safe from drops and knocks that might happen during transport. Ultra-lightweight at only 1.5kg.
- ✦ Both sides can be labelled for easy identification.
- ✦ Suitable for optical fiber, CAT cable, audio cable, video cable, etc.
- ✦ Reserved RJ45 connector holder and inset port available for holding Beetek' s protective cap of Beetek' s BH01 or BH02 connector protectors.
- ✦ Suitable for storage of 100 meters of optical fiber with OD5.0mm or 70 meters of CAT cable.

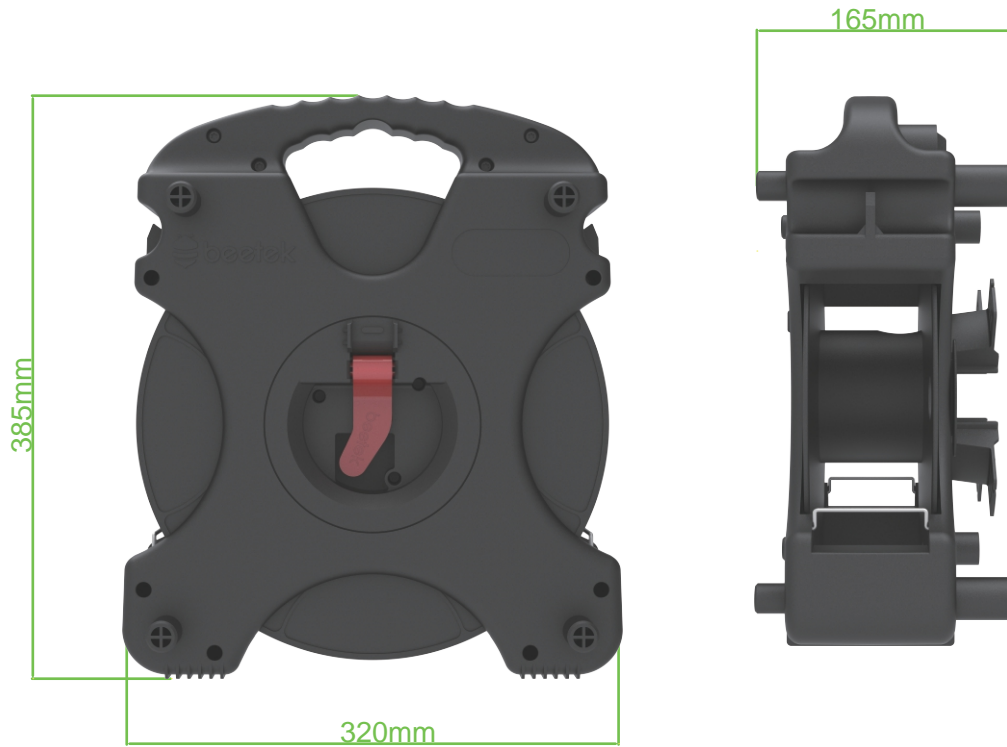
Detail diagram



Product parameter

Name	Parameter
Product Material	ABS、PP
Product Color	Black
Multi-Surface Placement	All five surfaces can be placed on the ground / table surface
Portable / Hanging	Portable, or placed on a cable rack
Stackable	Multiple units can be stacked together to save space
Custom Information	User can customize information for easy management
Single-person manageability	Enclosed reel design is anti-fall and anti-collision;
Folding Handle	convenient for transportation
Extended Handle	One person can quickly unwind and retract cable
Bearing Structure	Yes
Cable Holder	Supports detachable extended handle
RJ45 Connector Holder	Labor-saving built-in bearing
Connector Protector Holder	Yes
Applicable Products	Yes
Applicable Length	Supports BH01 and BH02 connector protector
Product Dimensions	Fiber cable, CAT cable, AOC cable
Product Weight	Fiber cable & AOC cable: 100 meters; CAT cable: 70 meters
Package Dimensions	320×165×385mm
Package Weight	1.5Kg
	350×180×390mm
	2.15kg

Dimensional diagram



- Product Dimensions 320×165×385mm
- Product Weight 1.5Kg
- Package Dimensions 350×180×390mm
- Package Weight 2.15kg