

PCD860

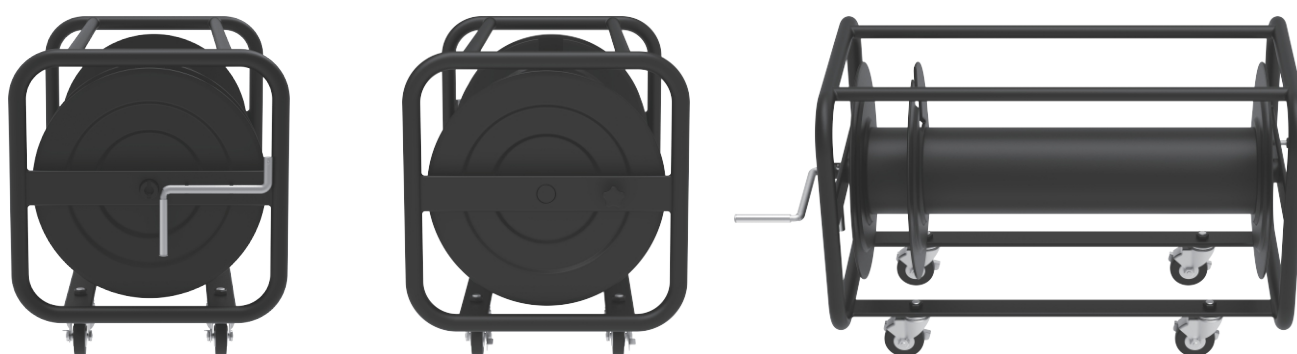
Large-sized Metal Mobile Cable Cart

Product number:8.06

Summary

PCD860 is a large-sized cable cart made completely out of metal, built to withstand the demands of rental and staging market. With an integral welded structure and super-thick load beam, it is extremely durable and can handle super heavy loads. The PCD860 has four silent 360-spin wheels that do not cause floor damage and a uniquely designed manual side brake that can stop the cable from winding at any time. Stores up to 1000 meters of fiber optic cable.

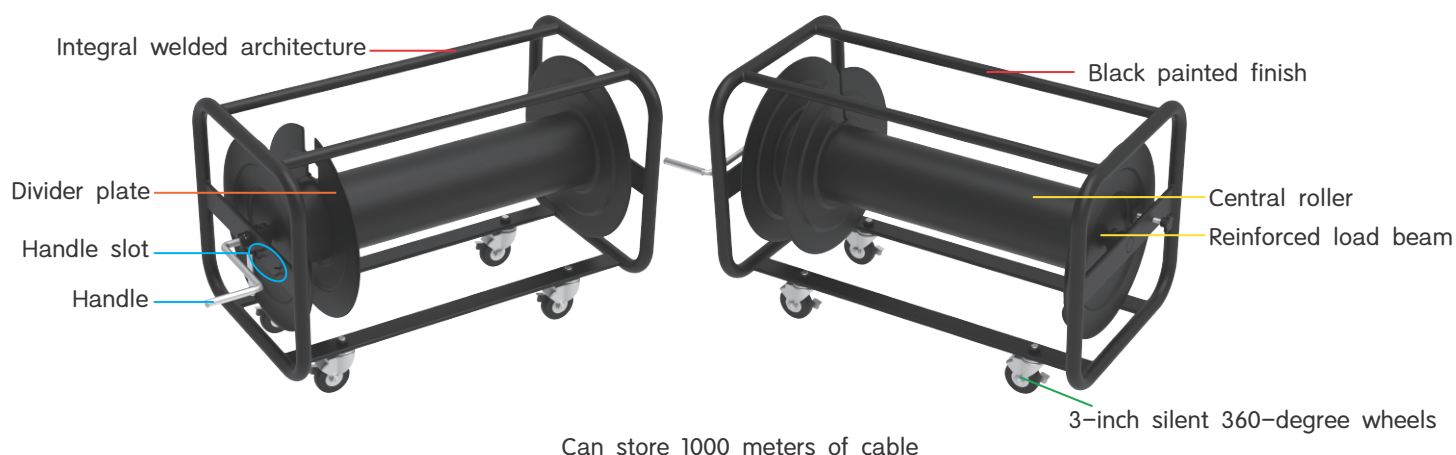
Product view



Technical Characteristics

- ✦ All-metal large-sized mobile cable cart catered to the rental and staging industry.
- ✦ Features 25 x 1.5mm integral welded structure and reinforced 12mm load beam.
- ✦ Special finely-painted tactical surface treatment is suitable for use in all kinds of harsh environments.
- ✦ Commonly used for optical fiber, CAT, audio, video and other cables.
- ✦ Four 3-inch silent 360-spin wheels are silent and do not damage the floor.
- ✦ The two powerful brake pedals keep the cable reel firmly planted.
- ✦ Manual side brake can stop cable from winding at any time, and has its own storage slot.
- ✦ Commonly used for optical fiber, CAT, audio, video and other cables.
- ✦ Stores optical fiber with 5mm outer diameter up to 1000 meters.

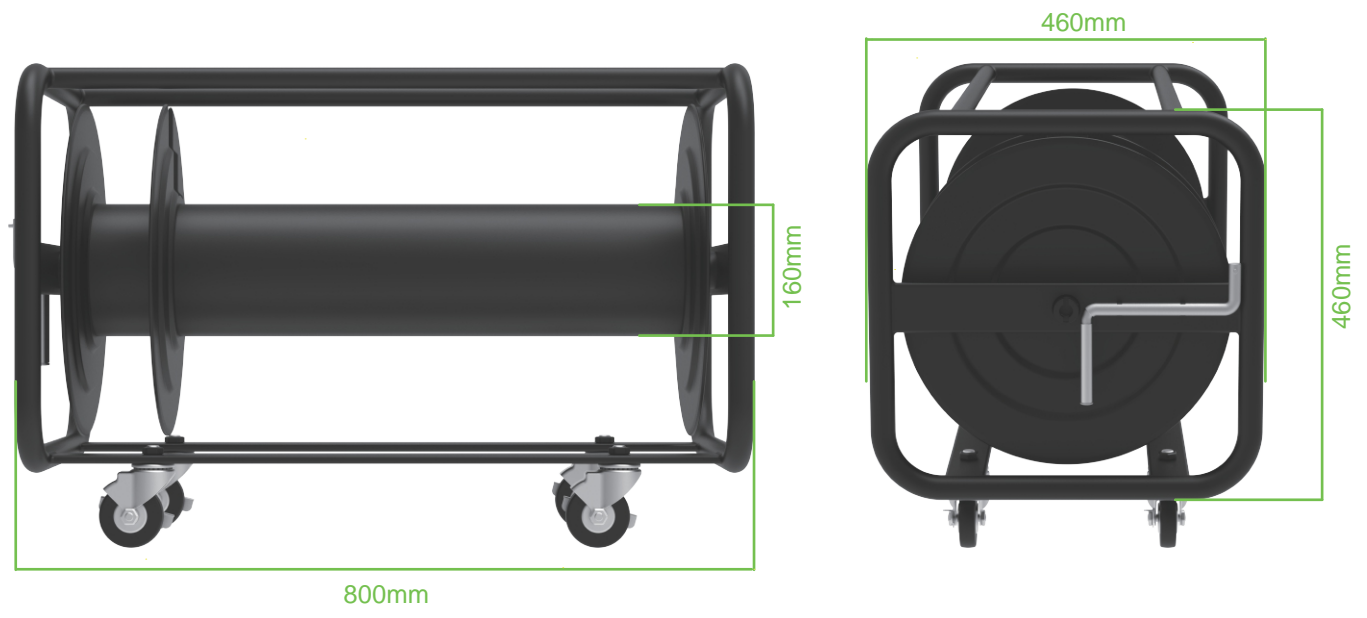
Detail diagram



Product parameter

Name	Parameter
Product Material	All-metal
Product Color	Black
Turntable lock	Yes
Reinforced Load Beam	12mm
Surface Treatment	Black metal spray coating
Silent 360° -spin Wheels	4 pieces of 3-inch silent360° -spinwheels
Powerful Brake Pedal	2 pieces
Unique Brake Design	Manual side brake
Shaft Length	700mm
Applicable Products	Fiber cable, CAT cable, AOC cable
Applicable Length	Stores cable with OD5.0mm up to 650 meters
Product Size	800×460×460mm
Product Weight	25kg
Package Size	860×470×470mm
Package Weight	26kg

Dimensional drawing



- Product Size 800 × 460 × 460mm
- Product Weight 25kg
- Package Size 860 × 470 × 470mm
- Package Weight 26kg