



# DF200

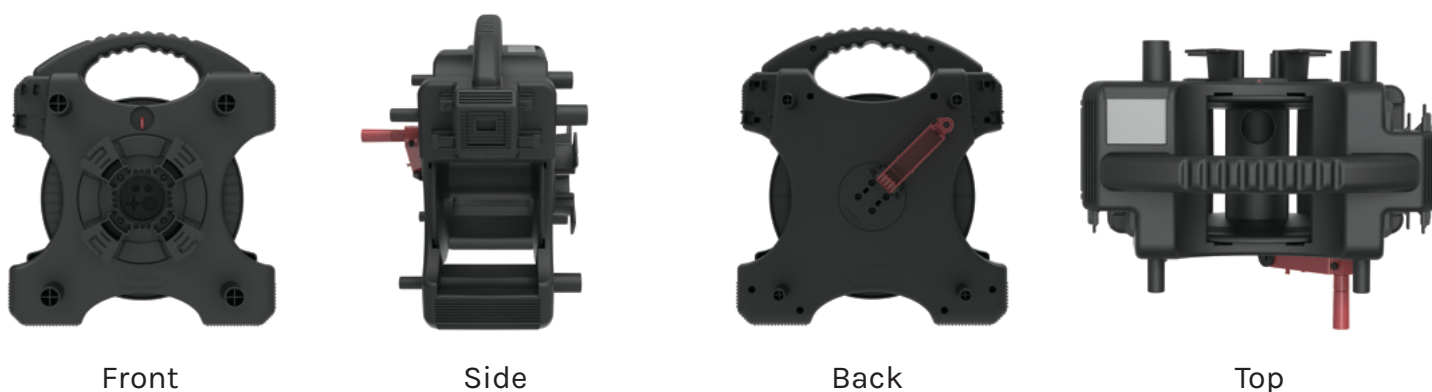
Stackable ABS Cable Reel (Modification)

Product number:990717

## Summary

DF200 is a stackable reel made from durable ABS material, which can easily be operated by one person to quickly deploy cable. The fully-enclosed winding reel provides excellent protection from drops and knocks, and can be stacked vertically or horizontally, or hung for easy transportation and storage. It can easily store 250 meters of fiber optic cable or 150 meters of CAT cable.

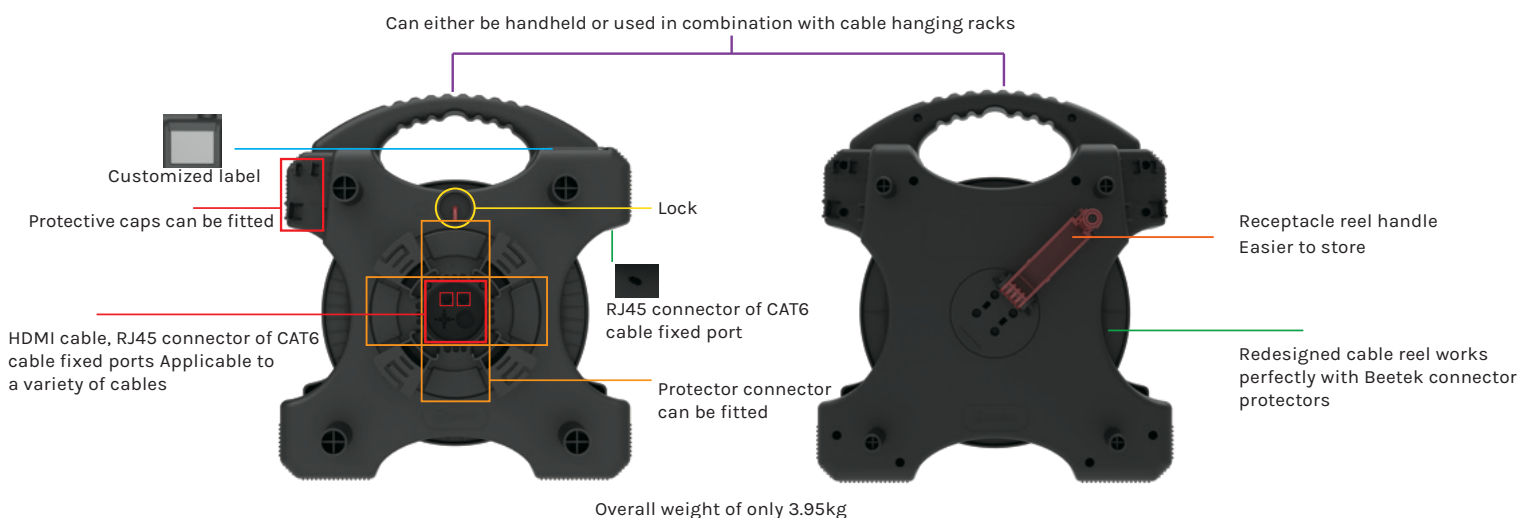
## Product view



## Technical Features

- ♦ Designed for repeated mobile cable deployment.
- ♦ Internal bearing structure and retainer can be operated by a single person, saving both time and effort.
- ♦ Unique outer design allows it to be stacked vertically, horizontally or hung on racks, freeing up space and making it easy to grab-and-go.
- ♦ Fully-enclosed winding reel is safe from drops and knocks that might happen during transport.
- ♦ Can be labelled for easy identification.
- ♦ Suitable for optical fiber, CAT cable, audio cable, video cable, etc.
- ♦ RJ45 connector fixed port is reserved and inset port available for plugging Beetek' s BH series connector protectors.
- ♦ Suitable for storage of 250 meters of optical fiber or 150 meters of CAT cable with 5.0mm outer diameter.

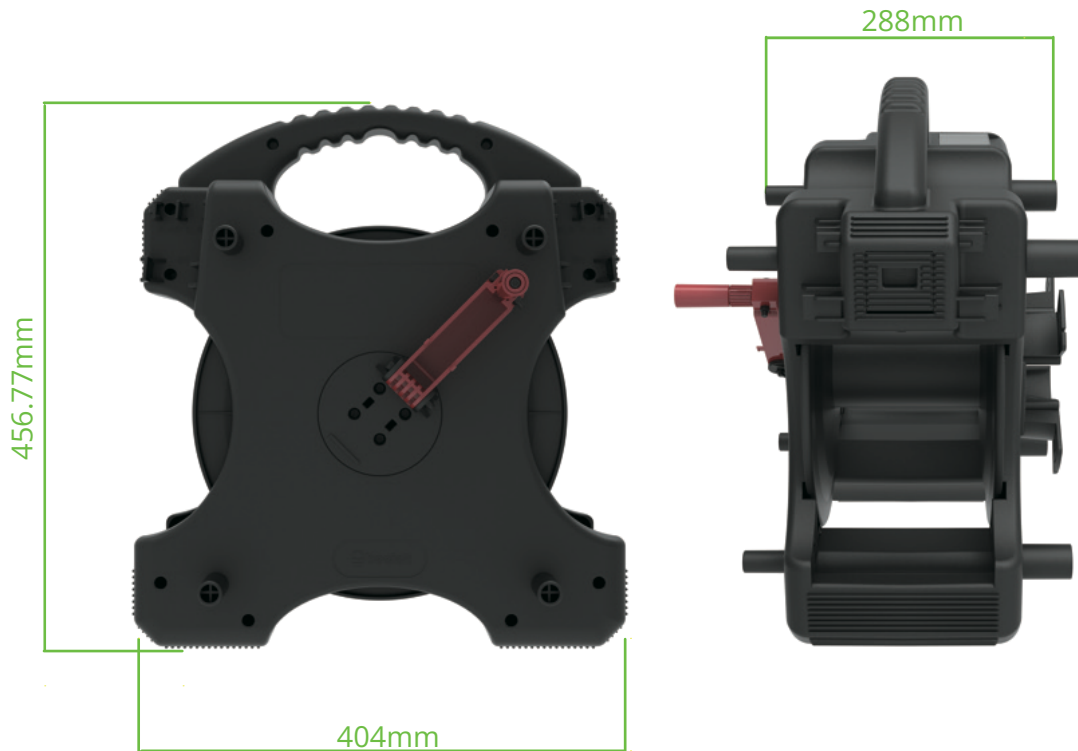
## Detail diagram



## Product Parameter

Name	Parameter
Product Material	ABS、PP
Product Color	Black
Multi-Surface Placement	All five surfaces can be placed on the ground / table surface
Portable / Hanging	Portable, or placed on a cable rack
Stackable	Multiple units can be stacked together to save space
Custom Information	User can customize information for easy management
Anti-fall & Anti-collision	Enclosed reel design is anti-fall and anti-collision; convenient for transportation
Single-person manageability	One person can quickly unwind and retract cable
Folding Handle	Yes
Extended Handle	Supports detachable extended handle
Bearing Structure	Labor-saving built-in bearing
Cable Holder	Yes
RJ45 Connector Holder	Yes
Connector Protector Holder	Supports BH01 and BH02 connector protector
Applicable Products	Fiber cable, CAT cable, AOC cable
Applicable Length	Fiber cable & AOC cable: 250 meters; CAT cable: 150 meters
Product Dimensions	404 × 288 × 456.77mm
Product Weight	3.95Kg
Package Dimensions	420 × 320 × 490mm

# Dimensional drawing



- Product Dimensions 404×288×456.77mm
- Product Weight 3.95Kg
- Package Dimensions 420×320×490mm